

Multimode to Singlemode Media Converter

V.3.4

Description

Multimode to Singlemode Converters provide efficient solutions for interconnecting multimode fiber LANs over longer distances by integrating singlemode fibre optic cable into the LAN. The converter also enables Ethernet LAN and WAN connectivity, by providing a multimode interface to singlemode fibre carrier demarcation points. Models are available for singlemode to multimode conversion between Fast Ethernet devices, or for Asynchronous Transfer Mode (ATM) applications transported over a Synchronous Optical Network (SONET). Each Media Converter is enclosed in a compact, strong metal case and includes an external power supply for stand-alone applications.



Features & Benefits

- ▶ Extend a Gigabit Ethernet backbone connection up to 80 km for MAN(metropolitan area network) applications
- ▶ Converts Multimode to Single Mode (and vice versa)
- ▶ Converts Single mode to Single Mode or Multi-mode to Multi-mode
- ▶ Increases Distance Between Nodes
- ▶ Cross Connects Fibre Types
- ▶ Performs Optical Repeater Function (with 1x9 or SFP transceiver modules)

Applications

- ▶ LAN
- ▶ FTTx
- ▶ Telecommunication networks

Technical Specification

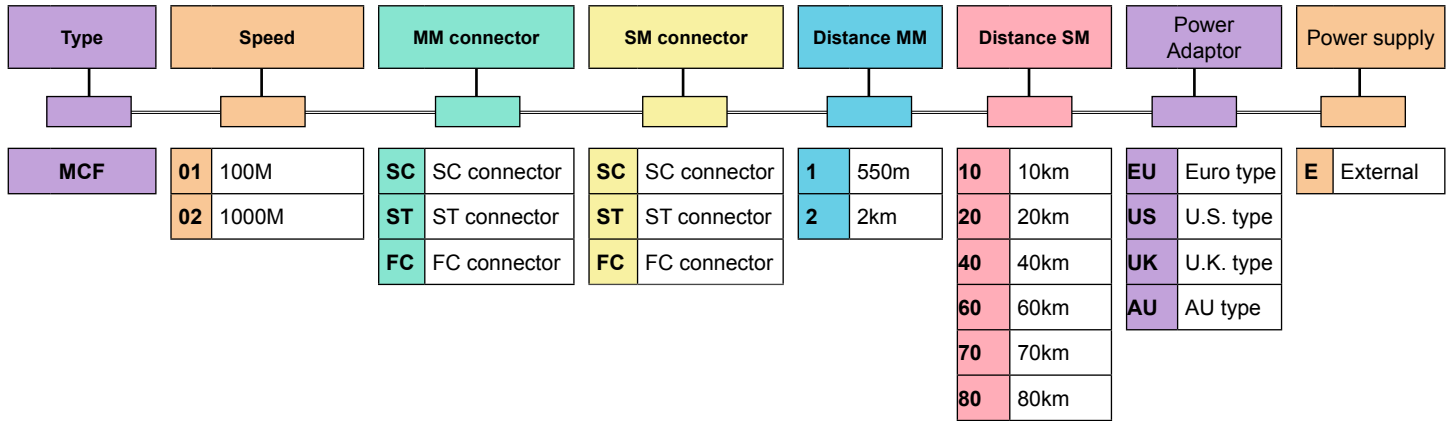
- ▶ Complies with: IEEE 802.3u 100BaseFX
IEEE 802.3z 1000BaseSX/LX
- ▶ Transceiver Type: Multi-mode or single mode
- ▶ Transceiver Connector Types: Duplex SC,ST, FC
- ▶ Wavelength(typical): Multi-mode: 850nm (≤550m)
1310nm (≤2Km)
Single-mode: 1310nm up to 40Km
1550nm up to 80Km
- ▶ Temperature: 0 - 50°C (Operating); -45 - 80°C (Storage).
- ▶ Humidity: 5%-80% non-condensing (Operating); 10%-90% (Storage)
- ▶ Power Supply: External 1A,+5VDC
- ▶ Dimensions: External power version 95mm x70mm x 26mm (LxWxH)
- ▶ Compliance: RoHS & REACH
FCC Part 15 Class B
CE EN55022: 1998+A1: 2000+A2: 2003
EN61000-3-2: 2000+A2: 2005
EN61000-3-3: 1995+A1: 2001
EN55024: 1998+A1: 2001+A2: 2003
- ▶ MTBF: 65,000 h (25°C)



Multimode to Singlemode Media Converter

V.3.4

Part Number Generator



Example Part Number

MCF **01** **SC** **SC** **2** **10** **EU** **E**

This part number generator has created an:

100M Multi-mode 1310nm 2km to Single-mode 1310nm 10km, SC to SC, Euro type power adaptor, External



+44 (0) 870 127 3330



+44 (0) 870 127 3331



sales@fibrefab.com



www.fibrefab.com