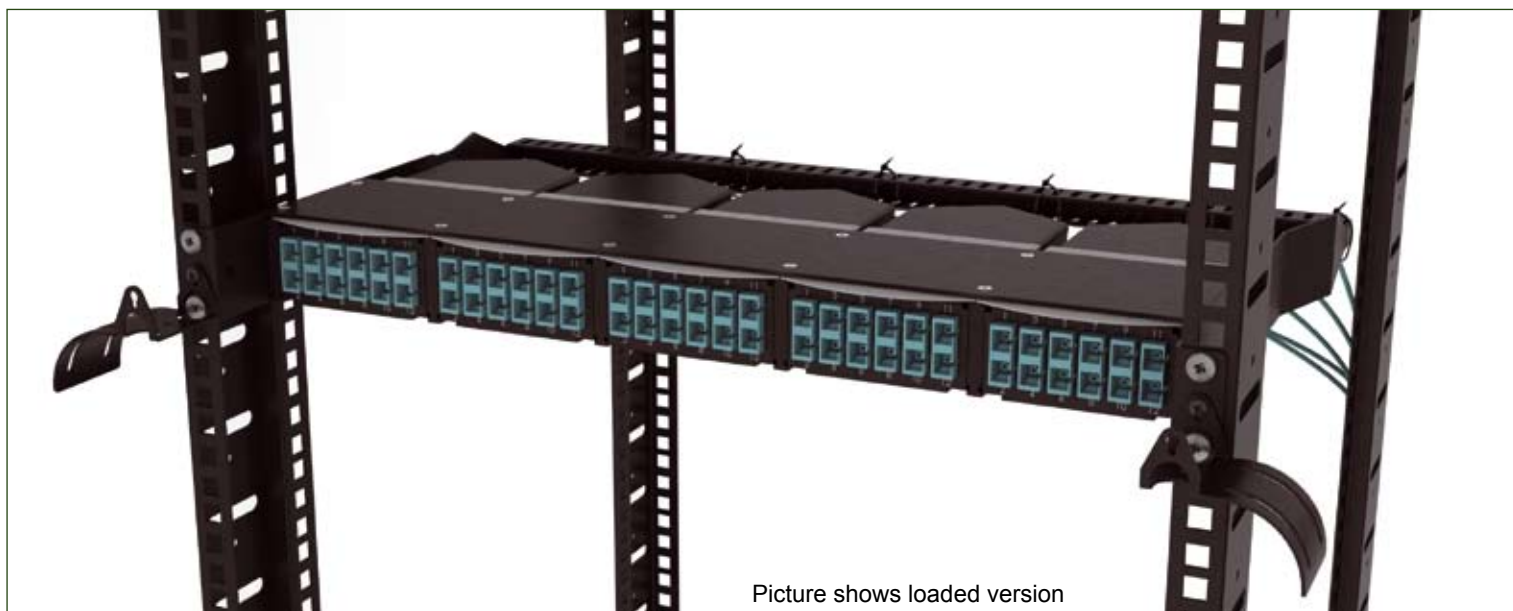


High Density Modular Panel



Picture shows loaded version

Features/Benefits

- ▶ **Modular Connection System**
- ▶ **High Density-** scaling up to 120 discrete connectors and up to 720 fibres within MTP interface
- ▶ **Up to 24 discrete or 144 (MTP) fibres connections a single module**
- ▶ **Cable entry via either MTP connection or pre-terminated assemblies**
- ▶ **Pre-loaded in the factory to guarantee performance**
- ▶ **Can be supplied with pre-terminated pigtails for splicing on the opposite end**
- ▶ **Can be supplied with a module at one end and ruggedised tails for direct connection to equipment at the opposing end**
- ▶ **Can be supplied with a module at one end and 900µm tails for connection within a standard patchpanel at the opposing end**
- ▶ **5 individual modules per panel**
- ▶ **Module entry from front or rear**
- ▶ **Rear cable management**
- ▶ **Retrofit patchcord exit management**
- ▶ **Separate labelling cards**
- ▶ **ROHS, REACH SvHC and UL rated**
- ▶ **Fits standard 19" or ETSI rack**

Applications

- ▶ **Data centres, premise installations, telecommunication networks**
- ▶ **Ethernet, Fibre Channel, ATM, LAN, MAN and WAN**
- ▶ **Data communication networks**
- ▶ **Indoor applications**

Technical Specification

Parameter	Measurement	Conformance
Dimensions (Nominal)	482 x 311 x 44 (recessed)	
Weight	3.0 Kg	
Operating Temperature	-25 to +70, 12 cycles	IEC 61300-2-22

Ordering Information

Description	Part Number
High Density Modular Panel (unloaded)	HD1UCHASSIS



High Density Modular Panel

Description

FibreFab offers an innovative, high density patch panel. Designed to accommodate up to 120 connections within a 1U panel. These are split between 5 individual modules with up to 24 fibres within each.

Each module accepts incoming fibre from either MTP trunk cables or via pre-terminated assemblies. Pre-terminated cables are available as either ruggedised breakout cable or distribution cable. Another alternative for cable entry is the patented Optronics FirstLight Prime breakout, capable of being pulled over long distances and connecting directly to equipment.

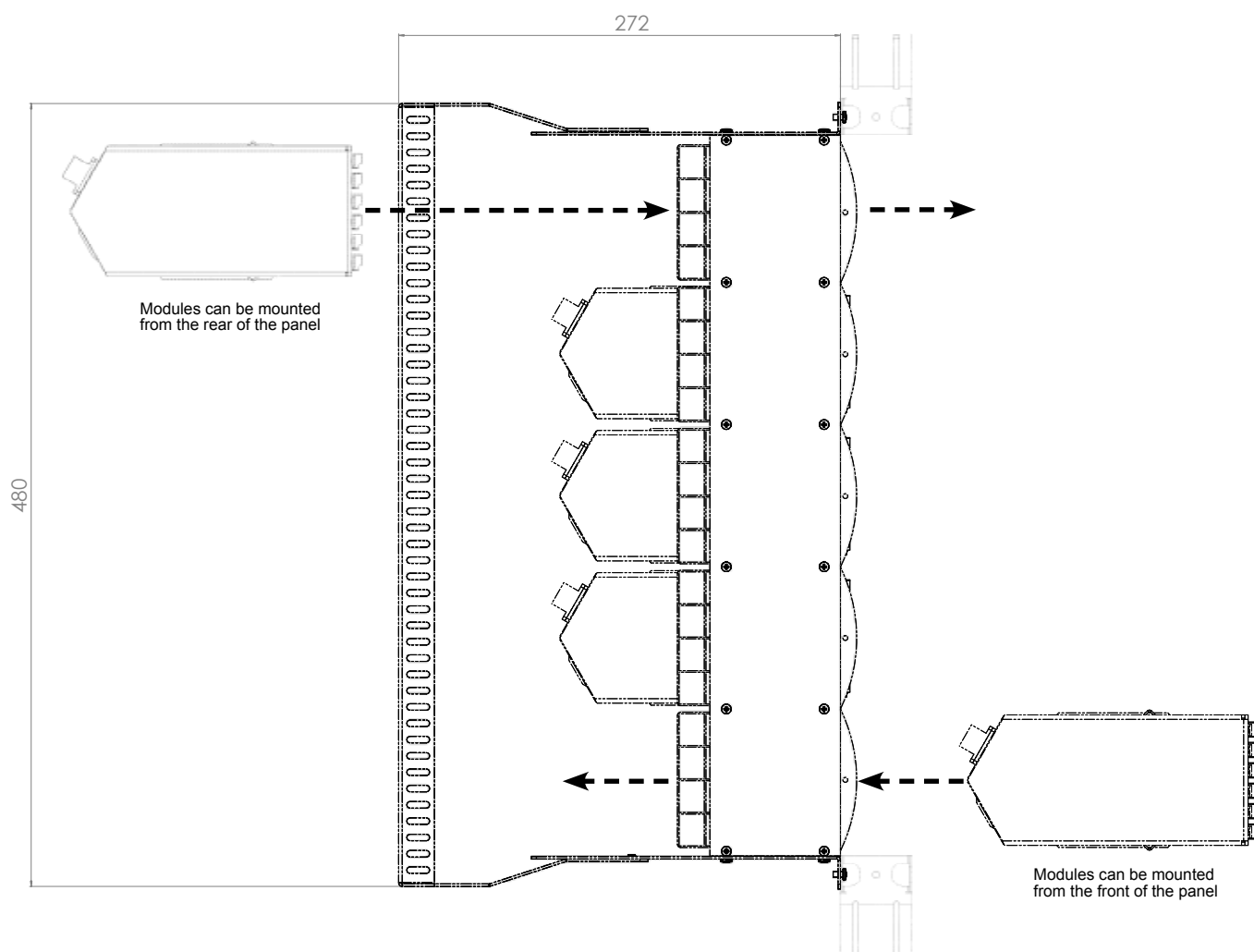
Incoming cable can also be supplied un-terminated for splicing within a standard patch panel.

Modules can enter the panel from the front or the rear. Each is supplied with a separate labelling card for ease of channel identification. Cable entry is managed via a retrofit management bar allowing entry from either the left or the right hand side.

Exiting patch cords are managed by a retrofit bracket allowing cables to be routed in any direction.

Also available is a 3U system incorporating all of the above but with the addition of a removable door allowing complete access to all relevant components.

Second to this FibreFab is pleased to offer a 0U solution designed to accommodate sufficient MTP connectivity to support an individual blade per module. This is managed via a 96 fibre trunk cable directly terminated to 8 MTP connectors within the module and the choice of MTP or discrete connectors at the opposing end.



Patent Applied For



+44 (0) 870 127 3330



+44 (0) 870 127 3331



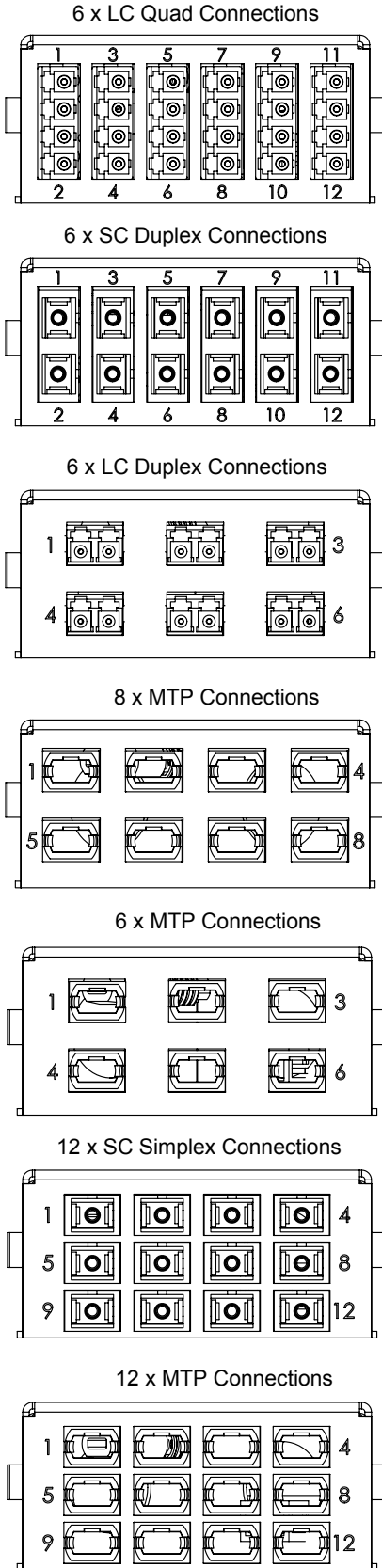
sales@fibrefab.com



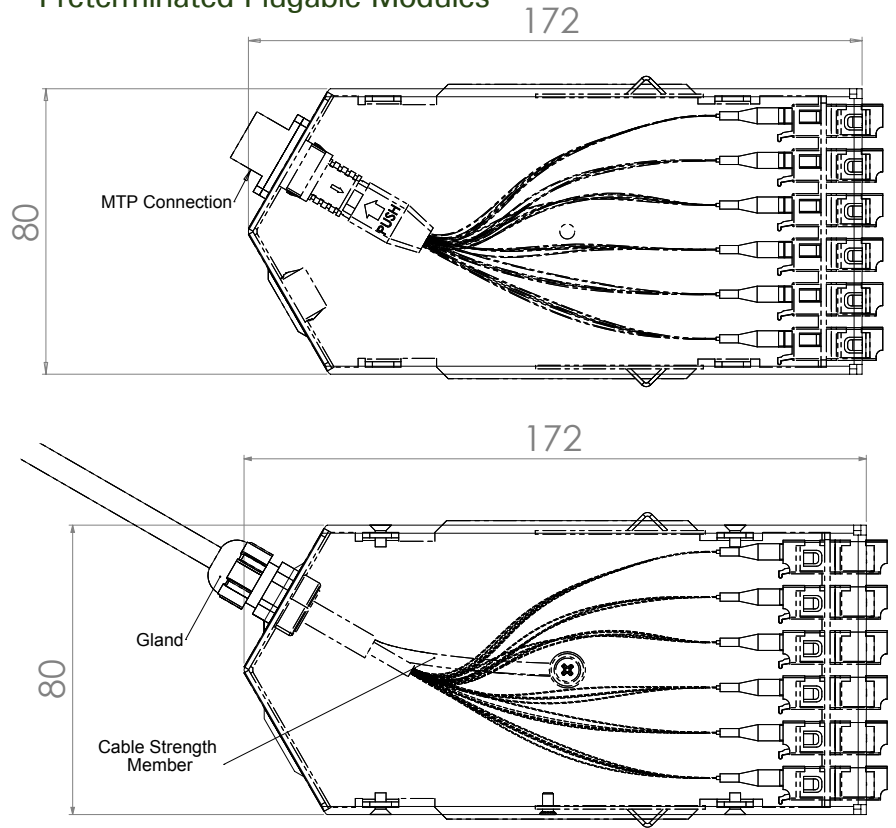
www.fibrefab.com

High Density MTP® Pluggable Modules

Pluggable Module Options



Preterminated Pluggable Modules



Part Number Generator

Rear Connector		Fibre Count	Front Connector		Front Adaptor		Fibre type		CASS	Polarity
MTP Male (standard)	MTPM	12	LC	LC	Simplex	SX	OS1/ OS2	09		A
MTP Male Elite®	MTPEM	24	LC/APC	LCA	Duplex	DX	OM1	62		B1
N/A	XX	Upto 144 (MTP)	SC	SC	Quad	Q	OM2	50		B2
			SC/APC	SCA			OM3	OM3		C
			MTP	MTP			OM4	OM4		

Female available on request

Example Part Number

HD MTPM24LCDXOM3CASSA

This part number has created High Density MTP Cassette with 24 OM3 fibres, Duplex LC front interface, polarity method A.

Patent Applied For



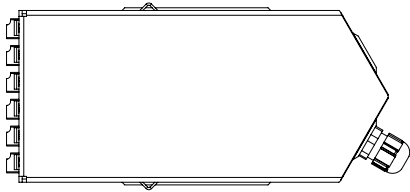
High Density Modular Multifibre Assembly

V.3.2

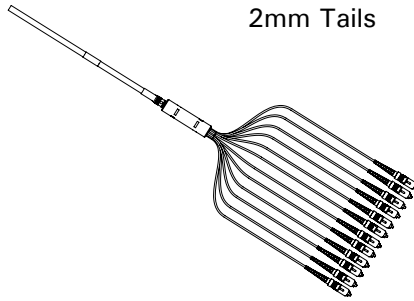
Module to Module



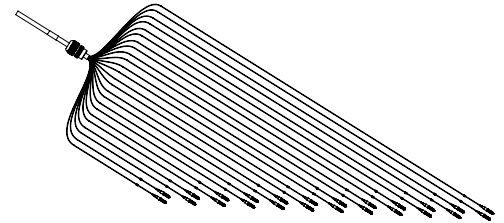
Module to Multifibre Assembly



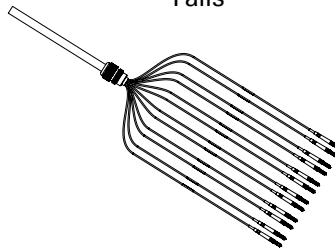
Loose Tube - Ruggedised
2mm Tails



Tight Buffer -
900µm Tails



Breakout - 2mm Ruggedised
Tails



Microcable - MTP
Ruggedised Tails



Part Number Generator

HDMA	Fibre Count	End A Interface				END B Interface						Fibre type		Cable Construction		Assembly length (mtr)	
	2	M (Module)	LC	LC	Simplex	SX	Module	M	LC	LC	Simplex	SX	OS1/OS2	09	Tight Buffer	TB	1 to 200m
	4		LC/APC	LCA	Duplex	DX	900µm	09	LC/APC	LCA	Duplex	DX	OM1	62	Breakout	BO	
	6		SC	SC	Quad	Q	2mm	2	SC	SC	Quad	Q	OM2	50	Microcable	MC	
	8		SC/APC	SCA					SC/APC	SCA			OM3	OM3	Loose Tube	LT	
	12		MTP	MTP					MTP	MTP			OM4	OM4			
	16								ST	ST							
	24								FC	FC							
	Upto 144 MTP							FC/APC	FCA								



+44 (0) 870 127 3330



+44 (0) 870 127 3331



sales@fibrefab.com



www.fibrefab.com